

PFH High Pressure In-Line Filter

615 bar, 8700 psi Operating Pressure
993 lpm, 265 gpm Max Flow Rate



APPLICATIONS

PFH high pressure filter assemblies are ideal for protecting sensitive components in hydraulic circuits, and should be located upstream of specific components or directly after the pressure pump (for smaller systems).

- Power unit pump discharge filter.
- Pilot filter directly in front of valves and actuators.
- To help meet mill/plant target cleanliness codes and required ISO 4406:1999 cleanliness standards set by hydraulic component manufacturers (warranty).
- To protect a component that is very expensive where minimizing the risk of failure and replacement cost justifies the cost of filtration.
- To protect a component or system that can affect overall mill productivity and cause downtime.

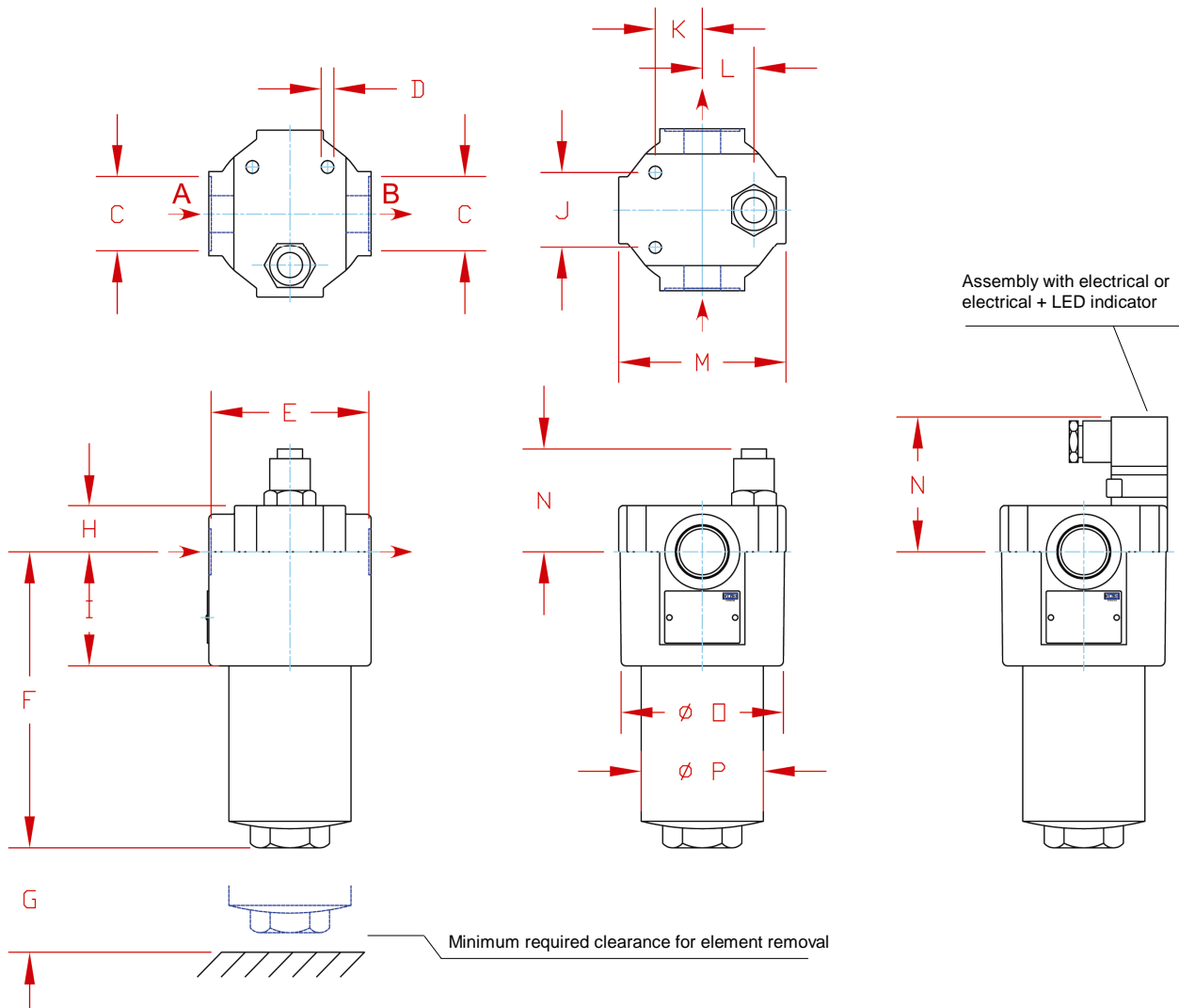
PRODUCT FEATURES

DFE rated elements (Dynamic Filter Efficiency)	G7 Dualglass media filter elements are DFE rated to assure performance even when exposed to the toughest hydraulic systems (See DFE literature for details)
Circumferential o-ring bowl seal	Circumferential seal on the bowl eliminates leaking and weeping.
Low housing pressure drop	Unique internal flow paths provide low resistance to flow. (Low pressure drop)
Coreless elements	PFH419 housings (with bypass valve) can be ordered with Hy-Pro coreless filter element for easy disposal (crush or incinerate).
Differential indicator	Available with visual, electrical, or electrical with LED (visual signal) differential indicators.

PRODUCT SPECIFICATIONS

Materials	
Head	Cast steel
Bowl	Cold forged steel
Seals	Buna or Viton
Media options	G7 Dualglass, Stainless mesh
Interior coating	Phosphate coating
Exterior coating	Powder coated
ISO standards	
ISO 2941	Collapse and burst resistance
ISO 2942	Fabrication and integrity test
ISO 2943	Material compatibility with fluids
ISO 3724	Flow fatigue test
ISO 3968	Pressure drop vs flow rate
ISO 16889	Multi-pass filter performance
DIN 24550	Nominal pressure rating
Temperature rating	Buna -40f(-40c) to 225f(107c) Viton -15f(-26c) to 275f(135c)
Fluid compatibility	Biodegradable and mineral based fluids. For high water based or specified synthetics consult factory

PFH131 INSTALLATION DRAWING AND SPARE PARTS LIST

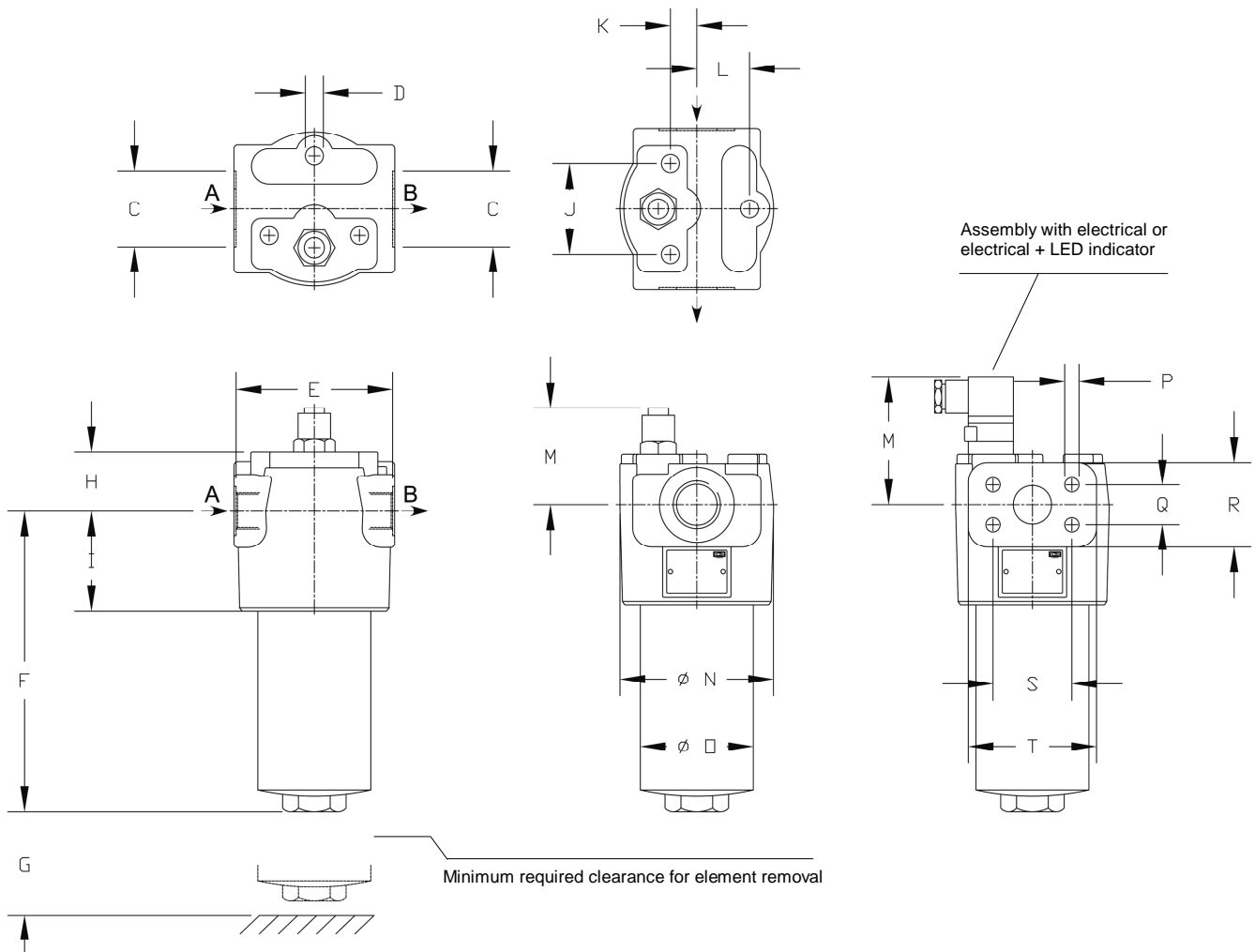


	PFH131*4 IN (mm)	PFH131*8 IN (mm)
A/B	G 1/2, G3/4, SAE-8, SAE-12 thread	G 1/2, G3/4, SAE-8, SAE-12 thread
C	1.653 (41,5)	1.653 (41,5)
D	M8 x 0.472 (11,98) depth	M8 x 0.472 (11,98) depth
E	3.310 (84,08)	3.310 (84,08)
F	6.225 (158,12)	10.008 (254,2)
G	2.167 (55,04)	2.167 (55,04)
H	0.965 (24,51)	0.965 (24,51)
I	2.403 (61,03)	2.403 (61,03)
J	1.576 (40,03)	1.576 (40,03)
K	0.985 (25,02)	0.985 (25,02)
L	1.084 (27,53)	1.084 (27,53)
M	3.507 (89,07)	3.507 (89,07)
N	Optical 2.167 (55,04) Electrical 2.837 (72,05)	Optical 2.167 (55,04) Electrical 2.837 (72,05)
O	3.349 (85,06)	3.349 (85,06)

1	Element (see Element part number guide)	Part number
2	Bowl Seal kit Nitrile NBR Fluorocarbon	PFH131SKB PFH131SKV
3	Bowl Single length Single length with drain port Double length Double length with drain port	PFB131 PFB131D PFB132 PFB132D
4	Indicator Visual indicator, Buna o-ring Visual, Viton o-ring Electrical, Buna o-ring Electrical, Viton o-ring Electrical + LED visual, Buna o-ring Electrical + LED visual, Viton o-ring	PFHIVB PFHIVV PFHIEB PFHIEV PFHILB PFHILV

	PFH131*4 Lbs (kg)	PFH131*8 Lbs (kg)
Weight	8.6 (3.90)	11.3 (5.13)

PFH152 INSTALLATION DRAWING AND SPARE PARTS LIST



	PFH152*4 IN (mm)	PFH152*8 IN (mm)
A/B	G3/4, G1, SAE-12, SAE-16 thread, SAE-16 Code 62	G3/4, G1, SAE-12, SAE-16 thread, SAE-16 Code 62
C	1.950 (49,53)	1.950 (49,53)
D	M10 X 0.472 (11,98) depth	M10 X 0.472 (11,98) depth
E	4.094 (103,99)	4.094 (103,99)
F	8.819 (224,0)	11.220 (284,99)
G	2.756 (70,00)	2.756 (70,00)
H	2.953 (75,00)	2.953 (75,00)
I	2.598 (65,99)	2.598 (65,99)
J	2.362 (59,99)	2.362 (59,99)
K	0.689 (17,50)	0.689 (17,50)
L	1.378 (35,00)	1.378 (35,00)
M	Optical 2.677 (67,99) Electrical 3.327 (84,51)	Optical 2.677 (67,99) Electrical 3.327 (84,51)
N	4.016 (102,01)	4.016 (102,01)
O	2.953 (75,00)	2.953 (75,00)
P	Thread ?? (??)	Thread ?? (??)
Q	1.093 (27,76)	1.093 (27,76)
R	2.095 (53,21)	2.095 (53,21)
S	2.250 (57,15)	2.250 (57,15)
T	3.325 (84,45)	3.325 (84,45)

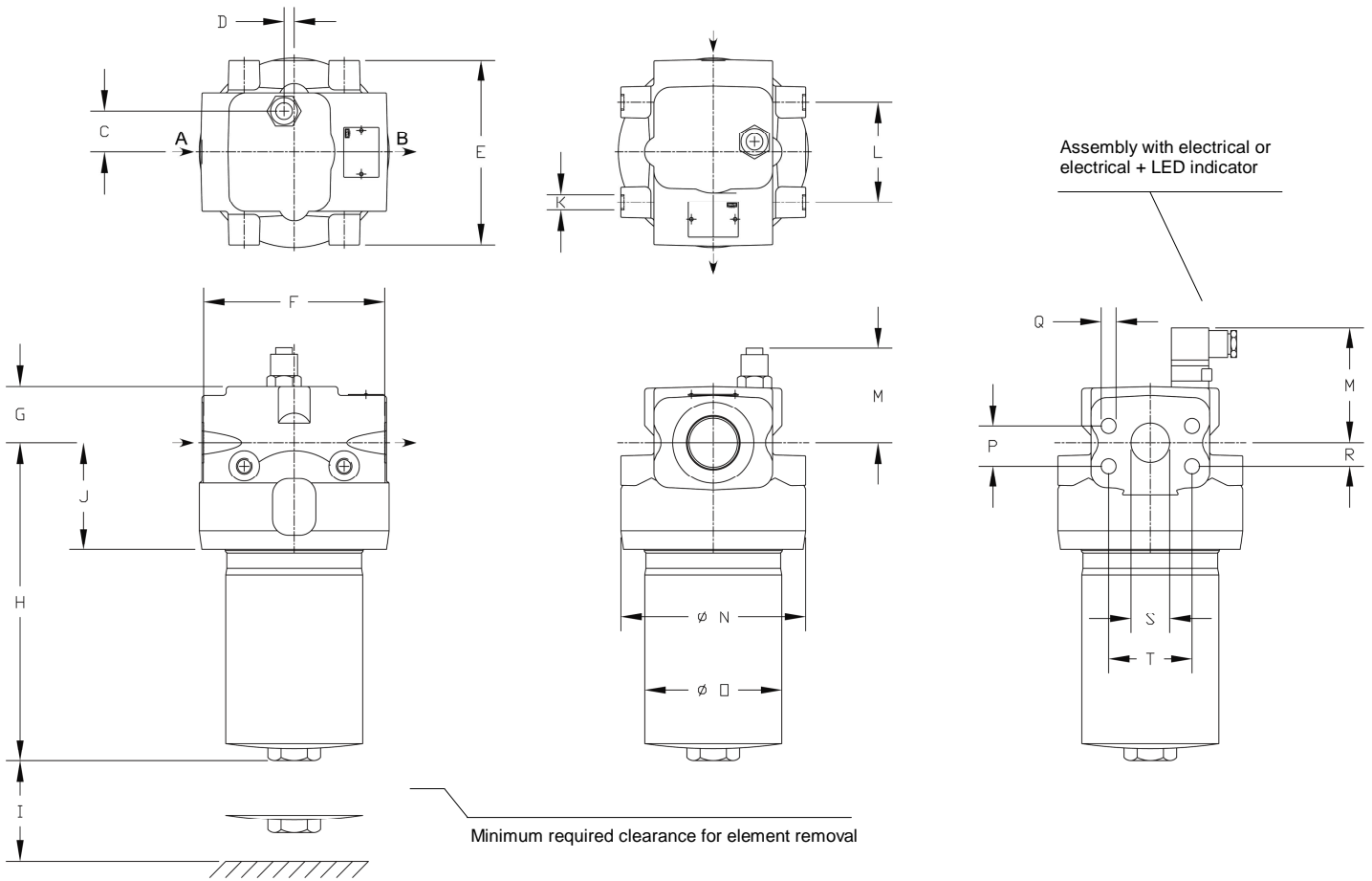
1	Element (see Element part number guide)	Part number
2	Bowl Seal kit Buna Viton	PFH152SKB PFH152SKV
3	Bowl Single length Single length with drain port Double length Double length with drain port	PFB1521 PFB1521D PFB1522 PFB1522D
4	Indicator Visual indicator, Buna o-ring Visual, Viton o-ring Electrical, Buna o-ring Electrical, Viton o-ring Electrical + LED visual, Buna o-ring Electrical + LED visual, Viton o-ring	PFH152IVB PFH152IVV PFH152IEB PFH152IEV PFH152ILB PFH152ILV

	PFH152*4 Lbs (kg)	PFH152*8 Lbs (kg)
Weight	15.5 (7.04)	18.5 (8.40)



FILTRATION

PFH419 INSTALLATION DRAWING AND SPARE PARTS LIST

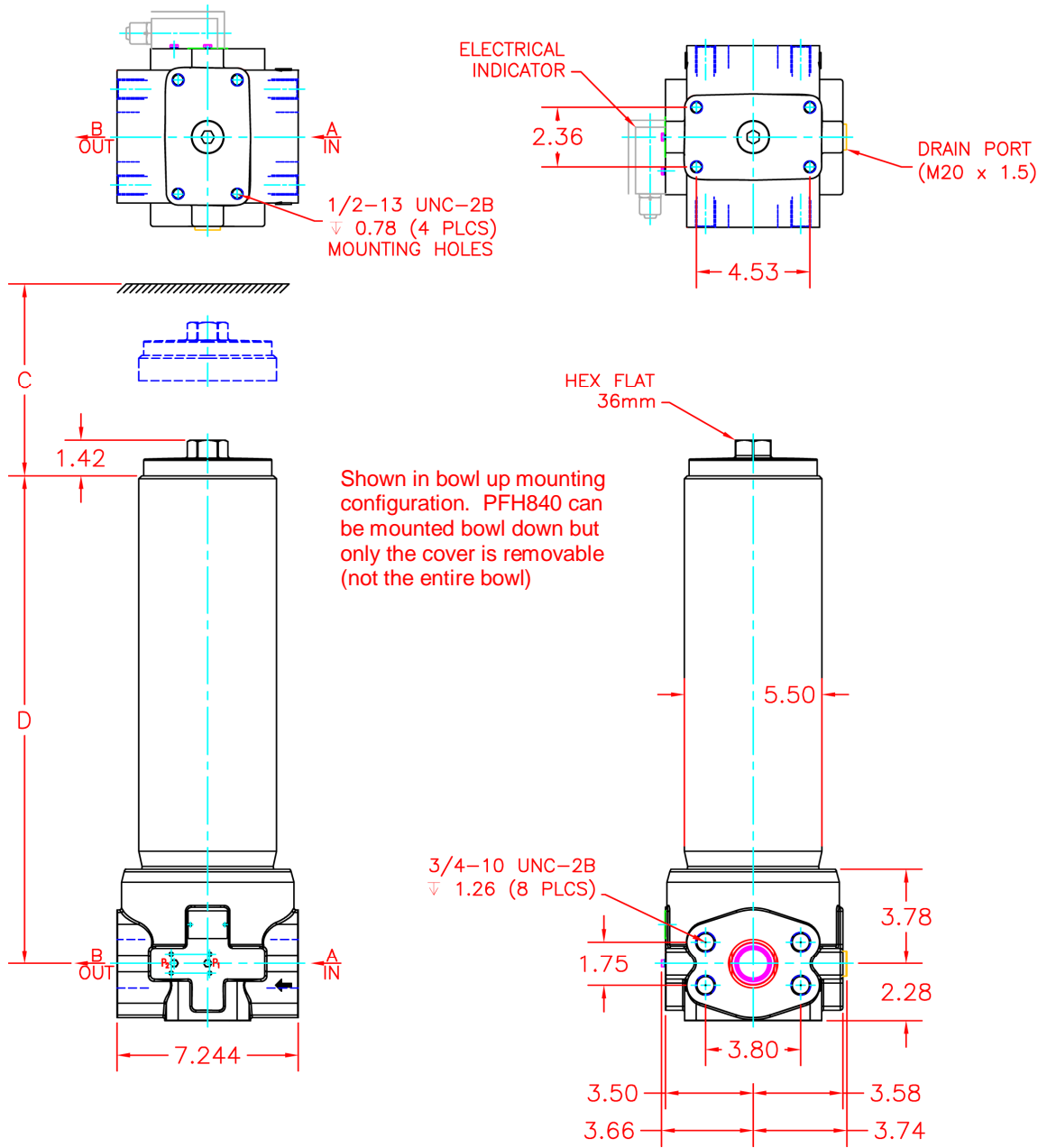


	PFH419*4 IN (mm)	PFH419*8 IN (mm)	PFH419*13 IN (mm)
A/B	G1 1/4, SAE-20, SAE-24 thread SAE-20 code 62	G1 1/4, SAE-20, SAE-24 thread SAE-20 code 62	G1 1/4, SAE-20, SAE-24 thread SAE-20 code 62
C	1.30 (33,02)	1.30 (33,02)	1.30 (33,02)
D	0.32 (8,12)	0.32 (8,12)	0.32 (8,12)
E	5.83 (148,08)	5.83 (148,08)	5.83 (148,08)
F	5.71 (145,03)	5.71 (145,03)	5.71 (145,03)
G	1.77 (44,95)	1.77 (44,95)	1.77 (44,95)
H	10.05 (255,27)	12.57 (319,28)	16.55 (420,37)
I	3.15 (80,01)	3.15 (80,01)	3.15 (80,01)
J	3.39 (86,11)	3.39 (86,11)	3.39 (86,11)
K	M12 x 18mm depth	M12 x 18mm depth	M12 x 18mm depth
L	3.15 (80,01)	3.15 (80,01)	3.15 (80,01)
M	Optical 2.96 (75,18) Electrical 3.62 (91,95)	Optical 2.96 (75,18) Electrical 3.62 (91,95)	Optical 2.96 (75,18) Electrical 3.62 (91,95)
N	5.99 (152,15)	5.99 (152,15)	5.99 (152,15)
O	4.29 (108,96)	4.29 (108,96)	4.29 (108,96)
P	1.25 (31,75)	1.25 (31,75)	1.25 (31,75)
Q	M14 x 22mm depth	M14 x 22mm depth	M14 x 22mm depth
R	0.73 (18,54)	0.73 (18,54)	0.73 (18,54)
S	1.22 (30,99)	1.22 (30,99)	1.22 (30,99)
T	2.63 (66,80)	2.63 (66,80)	2.63 (66,80)

1	Element	See element p/n
2	Bowl Seal kit Buna Viton	PFH419SKB PFH419SKV
3	Bowl Single length Single length w/drain port Double length Double length w/drain port Triple length Triple length w/drain port	PFB4191 PFB4191D PFB4192 PFB4192D PFB4193 PFB4193D
4	Indicator Visual indicator, Buna Visual, Viton Electrical, Buna seal Electrical, Viton Electrical + LED, Buna Electrical + LED, Viton	PFHIVB PFHIVV PFHIEB PFHIEV PFHILB PFHILV

	PFH419*4 Lbs (kg)	PFH419*8 Lbs (kg)	PFH419*13 Lbs (kg)
Weight	35.5 (16.12)	39.0 (17.71)	45.4 (20.61)

PFH840 INSTALLATION DRAWING AND SPARE PARTS LIST



PFH840*15		PFH840*26	
IN (mm)		IN (mm)	
A/B	SAE-32 2" Code 62	SAE-32 2" Code 62	
C	16.95 (431)	25.25 (642)	
D	19.49 (495)	27.56 (700)	

PFH840*15		PFH840*26	
Lbs (kg)		Lbs (kg)	
Weight	105 (47,7)	123 (55,9)	

1	Element (see Element part number guide)	Part number
2	Bowl Seal kit Buna Viton	PFH840SKB PFH840SKV
3	Bowl Cover Bowl Cover (PFH840 tubes not available)	PFH840C
4	Indicator Visual indicator, Buna o-ring Visual, Viton o-ring Electrical, Buna o-ring Electrical, Viton o-ring Electrical + LED visual, Buna o-ring Electrical + LED visual, Viton o-ring	PFH840IVB PFH840IVV PFH840IEB PFH840IEV PFH840ILB PFH840ILV

